

hermes

max. test head weight up to 180 kg / 400 lbs

modular configuration - "compose your perfect fit"

pivoted column



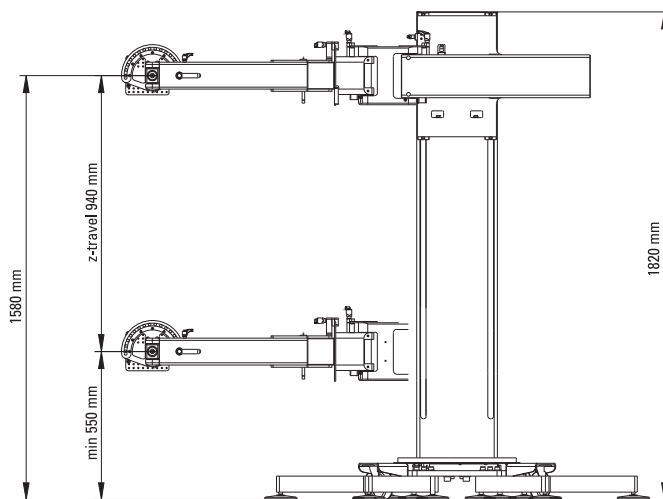
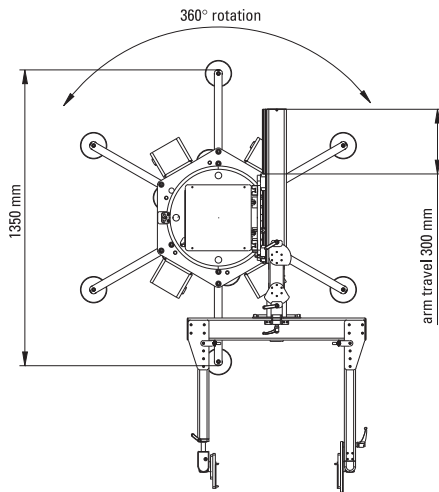
hermes

universal test head manipulator

key features

modular configuration for individual requirements - "compose your perfect fit"
high flexibility by pivoted column
easy repeatable docking position through linear motion

dimensions



specifications

weight

max. test head weight	180 kg/400 lbs
system weight	empty: 400 kg/880 lbs fully loaded: 760 kg/1672 lbs

linear

vertical travel (z-axis)	940 mm
in/out (y-axis)	300 mm

rotation

swing	360°
tumble	180° ± 2°
twist/rotation	up to 360°
theta adjustment	± 2,5°

configurations

various cradle adaptations
server base with linear tracks
active cable management

subject to technical change
without prior notice
© 2006



S2/S8
conform



esmo ag phone +49-8031-233 88 0
brückenstrasse 1 fax +49-8031-233 88 10
d-83022 rosenheim sales@esmo-ag.com
germany www.esmo-ag.com

esmo asia pte. ltd. phone +65-6562-8833
25 international business park fax +65-6562-8860
#03-112 german centre sales@esmo-asia.com
singapore 609916 www.esmo-ag.com

esmo usa inc. phone +1-408-982 9911
3350 scott blvd., suite #6102 fax +1-408-982 9933
santa clara, ca 95054 sales@esmo-usa.com
usa www.esmo-ag.com