

# leto

Simplest manual handling due to easy motions

Ensuring highly precise repeatability

Stand-alone or integrated version



# Leto

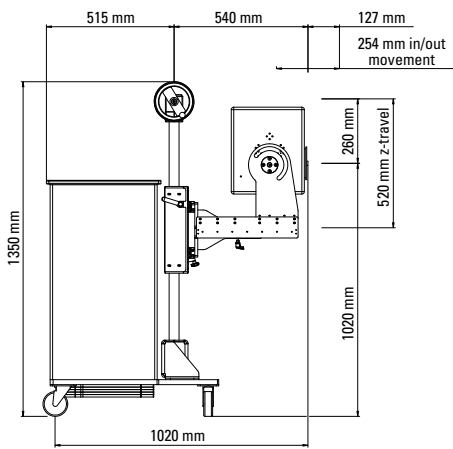
Integrated ASL 1000/stand-alone ASL Maverick PT

## Key Features

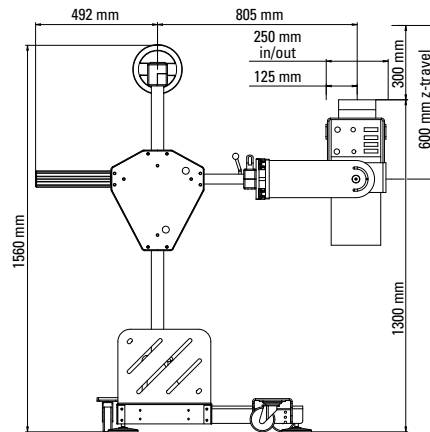
- Small and compact design
- Compared to its size: Large traversing range
- Constructed as per customer specifications
- Simplest operation (with the finger tip)
- Lockable castors for greater flexibility
- No electricity or air supply required
- Facilitated manual handling due to easy motions
- Linear motions only, no pivoting - ensuring highly precise repeatability
- 180 deg tumble motion
- Available as stand-alone or as integrated version

## Dimensions

### Integrated



### Stand-alone



## Specifications

### Weight

Max test head	65 kg (integrated/stand-alone)
System	Leto integrated: 190 kg Leto stand-alone: 290 kg

### Linear

Vertical travel (z-axis)	520 mm
In / out (y-axis)	10"
Side to side	12" ( $\pm 6$ " )

### Rotation

Tumble	180° $\pm 2^\circ$
Theta adjustment	Moveable system

## Configurations

Leto integrated:  
Credence ASL 1000

Leto stand-alone:  
Nextest Maverick PT



S2/S8  
conform



Subject to technical change  
without prior notice  
© 2008

esmo AG phone +49-8031-233 88 0  
Brückenstrasse 1 fax +49-8031-233 88 10  
D-83022 Rosenheim sales@esmo-ag.com  
Germany www.esmo-ag.com

esmo asia north co., ltd. phone +86-216240-0990  
No. 1118, Changshou Road fax +86-216240-0990  
Yueda International Plaza, Tower B, Unit 9-D sales@esmo-ag.com.cn  
200040 Shanghai, China www.esmo-ag.com

esmo asia south pte. ltd. phone +65-6562-8833  
25 International Business Park fax +65-6562-8860  
#03-112 German Centre sales@esmo-asia.com  
Singapore 609916 www.esmo-ag.com

esmo usa inc. phone +1-408-982 9911  
3350 Scott Blvd., Suite #6102 fax +1-408-982 9933  
Santa Clara, CA 95054 sales@esmo-usa.com  
USA www.esmo-ag.com