

# ikarus

max. test head weight up to 300 kg / 660 lbs

cost-effective solution

active cable management



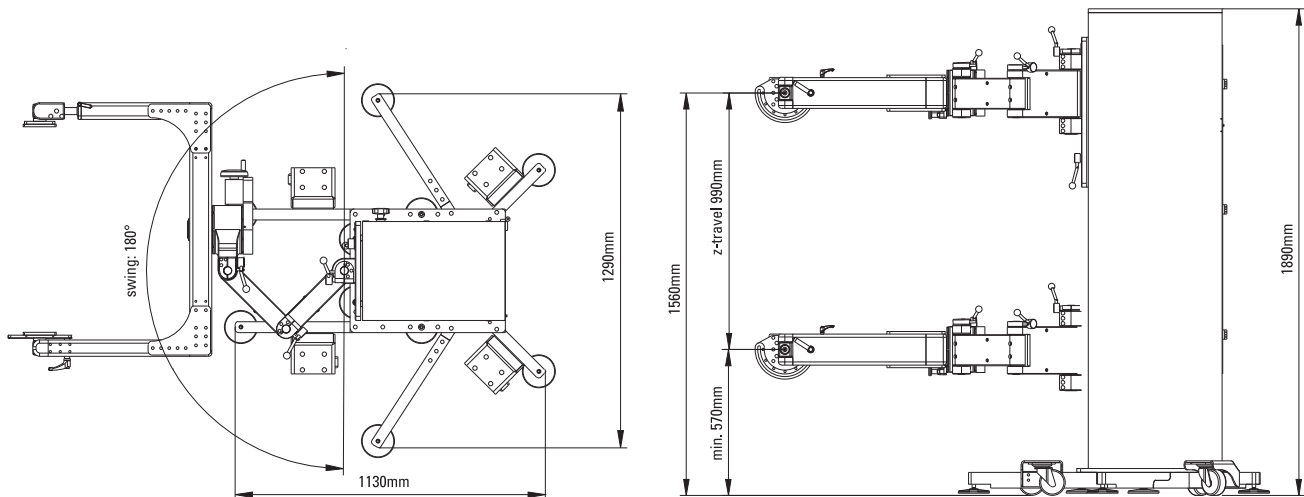
# ikarus

universal low-cost test head manipulator

## key features

cost-effective manual solution  
active cable management for optimized cable handling  
various test head adaptations available

## dimensions



## specifications

### weight

max. test head weight	300 kg/660 lbs
system weight	empty: 710 kg/1562 lbs fully loaded: 1310 kg/2882 lbs

### linear

vertical travel (z-axis)	980 mm
in/out (x-axis)	450 mm
side-to-side (y-axis)	790 mm

### rotation

swing (z-axis)	180°
tumble	180°
twist/rotation	up to 360°
theta adjustment	± 2,5°

## configurations

left swing or right swing  
active cable management

subject to technical change  
without prior notice  
© 2006



S2/S8  
conform



**esmo**

esmo ag phone +49-8031-233 88 0  
brückenstrasse 1 fax +49-8031-233 88 10  
d-83022 rosenheim sales@esmo-ag.com  
germany www.esmo-ag.com

esmo asia pte. ltd. phone +65-6562-8833  
25 international business park fax +65-6562-8860  
#03-112 german centre sales@esmo-asia.com  
singapore 609916 www.esmo-asia.com

esmo usa inc. phone +1-408-982 9911  
3350 scott blvd., suite #6102 fax +1-408-982 9933  
santa clara, ca 95054 sales@esmo-usa.com  
usa www.esmo-ag.com